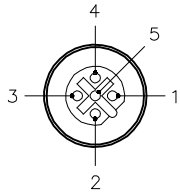
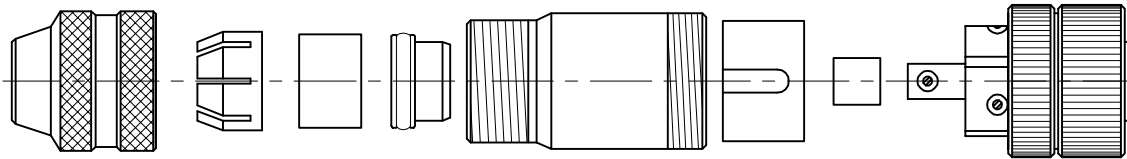
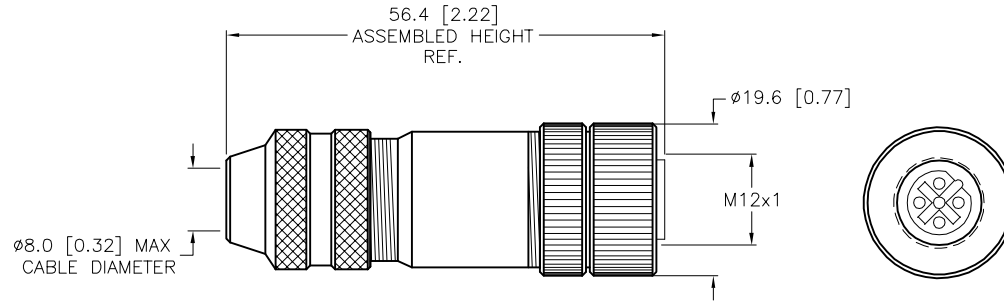


FEMALE END VIEW



SPECIFICATIONS

CONTACT MATERIAL/PLATING	BRASS/GOLD
COUPLING NUT MATERIAL/PLATING	BRASS/NICKEL
RATED CURRENT [A]	4.0 A
RATED VOLTAGE [V]	60V
MAXIMUM WIRE SIZE	18 AWG
CABLE GRIP RANGE	6-8mm
TEMPERATURE RATING	-40°C to +85°C (-40°F to +185°F)
PROTECTION CLASS	IEC IP67
WIRE TERMINATION	SCREW TERMINAL




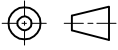
EXPLODED VIEW

SOURCE DRAWING - FOR REFERENCE ONLY

NOTES:

1. "/S3114" DESIGNATES NO TURCK LOGO OR PART DESCRIPTION ON STANDARD LABEL. LABEL TO INCLUDE ID NUMBER AND DATE CODE.

ALL METAL SHIELDED FIELD WIREABLE CONNECTOR

RELATED DOCUMENTS		3RD ANGLE PROJECTION		THIS DRAWING IS CONFIDENTIAL AND THE PROPERTY OF TURCK INC. USE OF THIS DOCUMENT WITHOUT WRITTEN PERMISSION IS PROHIBITED.		 <p>3000 CAMPUS DRIVE MINNEAPOLIS, MN 55441 1-800-544-7769 (763) 553-7300 (763) 553-0708 fax www.turck.us</p>	
1.			DRFT	RDS	DATE	DESCRIPTION	
2.			APVD		04/12/11	BMW5 8151-0/9/S3114	
3.		ALL DIMENSIONS DISPLAYED ON THIS DRAWING ARE FOR REFERENCE ONLY	UNIT OF MEASUREMENT			IDENTIFICATION NO.	
4.			MILLIMETER [INCH]			U2-18715	
MATERIAL	SEE SPECIFICATIONS	CONTACT TURCK FOR MORE INFORMATION	DO NOT SCALE THIS DRAWING			REV	
FINISH	SEE SPECIFICATIONS					B	
REV	DESCRIPTION	BY	DATE	ECO NO.	FILE: U2-18715	SHEET 1 OF 1	